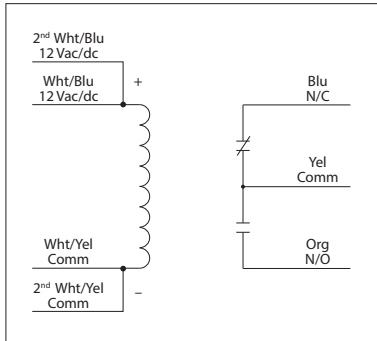


FIRE ALARM RELAYS

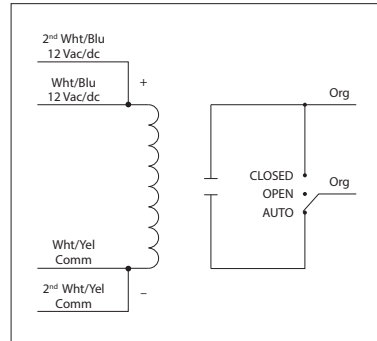
RIB12C-FA

Enclosed Relay 10 Amp, Polarized with 12 Vac/dc Coil

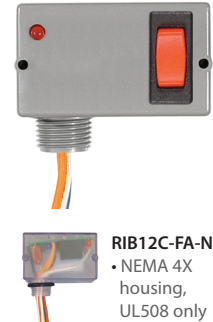


RIB12S-FA

Enclosed Relay 10 Amp + **Override**, Polarized with 12 Vac/dc Coil



RIB12C-FA-RD
RIB12S-FA-RD
• Red housing



RIB12C-FA-N4
• NEMA 4X housing, UL508 only

RELAYS

SPECIFICATIONS

- # Relays & Contact Type:** One (1) SPDT Continuous Duty Coil
- Expected Relay Life:** 10 million cycles minimum mechanical
- Operating Temperature:** -30 to 140° F
- Humidity Range:** 5 to 95% (noncondensing)
- Operate Time:** 6ms
- Relay Status:** LED On = Activated
- Dimensions:** 1.70" x 2.80" x 1.50" with .50" NPT nipple
- Wires:** 16", 600V Rated
- Approvals:** UL Listed, UL916, UL864, C-UL California State Fire Marshal
- Housing Rating:** UL Accepted for Use in Plenum, NEMA 1
- Gold Flash:** No
- Override Switch:** No (RIB12C-FA)
Yes (RIB12S-FA)

- Contact Ratings:**
- 10 Amp General Use @ 277 Vac
- 10 Amp Resistive @ 30 Vdc (N/O)
- 7 Amp Resistive @ 30 Vdc (N/C)
- 1/2 HP @ 125 Vac
- 1 HP @ 250 Vac
- 1/4 HP @ 277 Vac
- 470 VA Pilot Duty @ 125 Vac
- 770 VA Pilot Duty @ 250 Vac

- Coil Current:**
- 53 mA @ 10 Vac
- 62 mA @ 12 Vac
- 29 mA @ 11 Vdc
- 36 mA @ 12 Vdc

- Coil Voltage Input:**
- 12 Vac/dc; 50-60 Hz
- Drop Out = 2 Vac / 2.5 Vdc
- Pull In = 9 Vac / 11 Vdc

- Notes:**
- Order Normally Closed by adding "-NC" to end of model number (RIB12S-FA)